



# HOSHIZAKI

- > **IM-130NE**
- > **IM-130NE-21**
- > **IM-130NE-23**

Daily ice production capacity up to **130KG**



Cube ice is perfectly symmetrical and leaves a good impression with its hard, crystal clear quality that melts very slowly; allowing customers to enjoy their favourite drink longer, The IM series allows more flexibility of application with each range offering ice in variable sizes alongside a design for uncomplicated usage from start to finish.

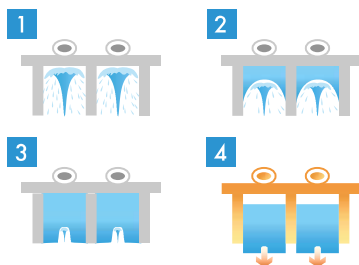


CUBE ICE MAKER SERIES

## FEATURES

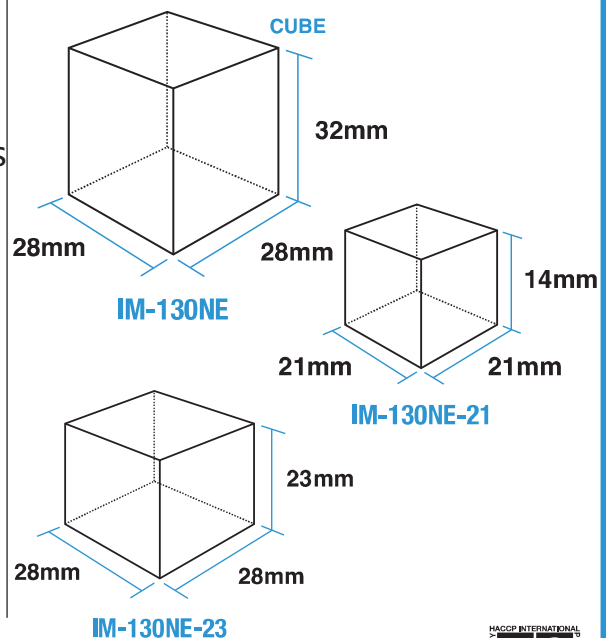
- > smart computer board technology
- > slide-in air filter for easy cleaning
- > LED error indicator for easy diagnosis
- > stainless steel exterior provides a hygienic and high quality finish

### UNIQUE ICE PRODUCTION SYSTEM



- > Individual cube
- > Impurity free
- > Hardest ice to enjoy slow melting and dilution of drinks

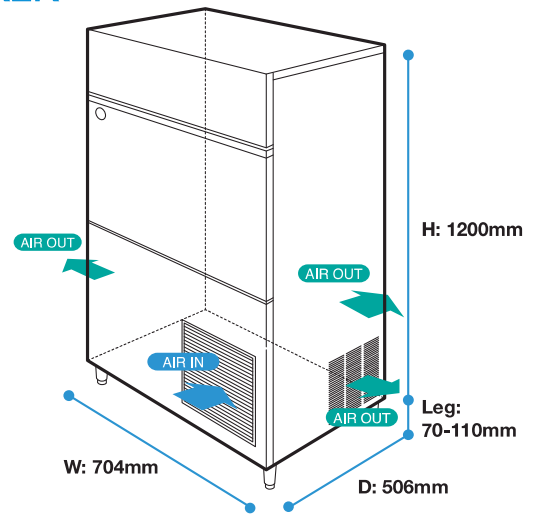
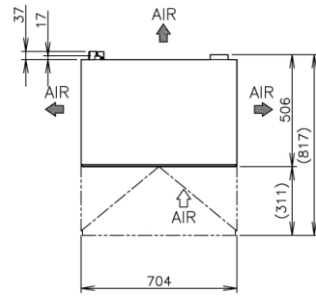
### ICE TYPE & SIZE



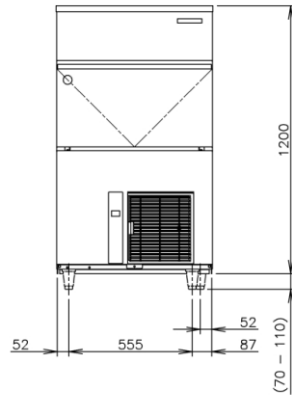
# DIMENSIONS & SPECIFICATION

## CUBE ICE MAKER AIR SYSTEM

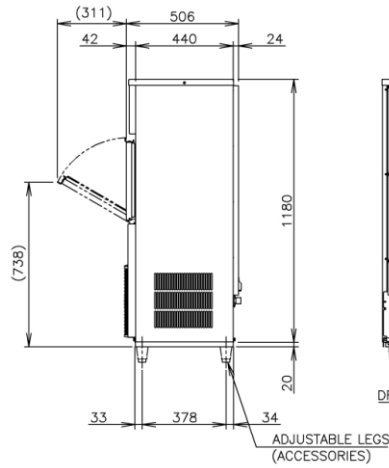
### TOP SIDE



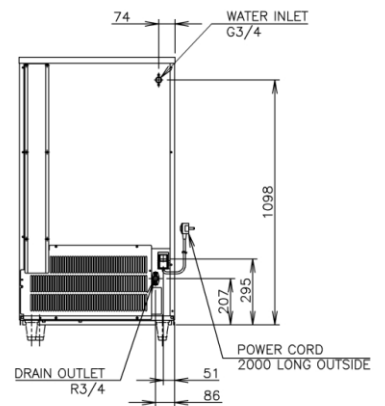
### FRONT SIDE



### RIGHT SIDE



### BACK SIDE



MODEL NAME		IM-130NE	IM-130NE-21	IM-130NE-23
ICE DIMENSIONS (MM) (W x D x H)		28 x 28 x 32	21 x 21 x 14	28 x 28 x 23
DIMENSIONS (MM) (W x D x H)		Body : 704 x 506 x 1200 / Leg Height : 70-110 mm		
PACKED DIMENSIONS (MM) (W x D x H)		805 x 580 x 1375		
WEIGHT (NETT/GROSS)		76 KG / 85 KG		
AMPERAGE / STARTING AMPERAGE		4.5A / 19A		
ELECTRICAL CONSUMPTION		700 W		
REFRIGERANT CHARGE		R404a		
HEAT REJECTION (AT32°C/WT21°C)		1880 W (1620 kcal/h)		
ICE PRODUCTION PER 24H (15MM)	(AT10°C/WT10°C)	130 KG	110 KG (7mm)	100 KG
	(AT21°C/WT15°C)	112 KG	100 KG (7mm)	90 KG
	(AT32°C/WT21°C)	96 KG	87 KG (7mm)	76 KG
WATER CONSUMPTION PER 24H (AT32°C/WT21°C)		0.22 m <sup>3</sup> 2.29L / 1KG ICE	0.31 m <sup>3</sup> 3.56L / 1KG ICE	0.25 m <sup>3</sup> 3.29L / 1KG ICE
ICE PRODUCTION (AT32°C/WT21°C)	FREEZE CYCLE TIME	35 MIN	27 MIN	31.5 MIN
	PER CYCLE	1.8 KG / 80 PCS	1.15 KG / 190 PCS	1.3 KG / 80 PCS
STORAGE CAPACITY		50 KG		

• **WARRANTY:**  
Two years parts & labour for entire unit, 3<sup>rd</sup> year on compressor only. Excluding door & exterior damages

**OPERATING CONDITIONS:** • Voltage Range: 198V-254V • Ambient Temperature: 1°-40°C  
• Water Supply: 5°-35°C / 0.07-0.8 Mpa / 7.25-116 PSI • AC Supply Voltage: 1/220-240V / 50 Hz  
**\*60Hz units are available upon request**